

DC Disconnect Switch

DP Series



Bremas Ersee SpA
Via castelazzo 9 - 20040 Cambiago (MI)
Tel +39 02 96851011 Fax +39 02 96851039
www.bremas.eu info@bremas.it
ISO 9001 Certified Quality System

DP100121E0ADRND

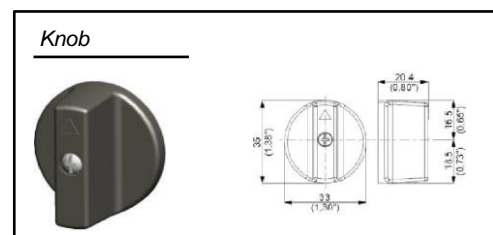
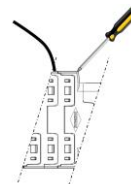


Technical data according to IEC 60947-3:2015/A2 AnnexD				
Utilization category			PV1 (DC21B)	PV2
Rated operational voltage	Ue	V dc	1000	1000
Rated operational current	Ie	A dc	12	4
Rated operational voltage (second rating)	Ue	V dc	750	750
Rated operational current (second rating)	Ie	A dc	25	10
Rated operational voltage (third rating)	Ue	V dc	600	600
Rated operational current (third rating)	Ie	A dc	32	16
Rated thermal current	Ith	A	50	
DC Poles		Nr.	2	
Rated conditional short-circuit current		kA	5	
Rated insulation voltage	Ui	V dc	1.500	
Rated impulse withstand voltage	Uimp	kV	8	
Rated short-time withstand current (1s)	Icw	A	780	
Rated short-circuit making capacity	Icm	kA	1,4	
Power loss per layer at 20A/50A		W	0,2/1,25	
Max fuse size for short-circuit protection	gPV	A	50	

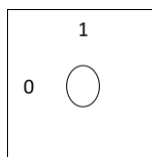
Mechanical characteristics				
Type of mounting			Base mounting. Back-side for DIN rail, for standard distribution boards (45mm window). With pre-mounted knob	
Layers		Nr.	3	
Screwdriver orientation for terminals			Head up	
External metal parts (screws, shaft)			Stainless steel	
Terminal capacity with flexible/solid wires	Max	mm ² AWG	2x 6 10	
Terminal capacity with fork terminals	Max	mm ² AWG	1x 16 6	
Thread dimensions for terminal screws			M4	
Terminal screws tightening torque		Nm	1,7 ± 10%	
Actuator operation force		Nm	1,5	
Net weight		g	193	
Protection degree IEC 529 EN 60529				
On terminals			IP20	
Mounted on panel			---	
Ambient conditions				
Pollution degree ins.			2	
Operational ambient temperature		°C	-40 ÷ +70	
Storage ambient temperature		°C	-40 ÷ +85	
Damp heat test IEC60068-2-30			90-100% RH at +55 °C	



Screwdriver orientation for terminals



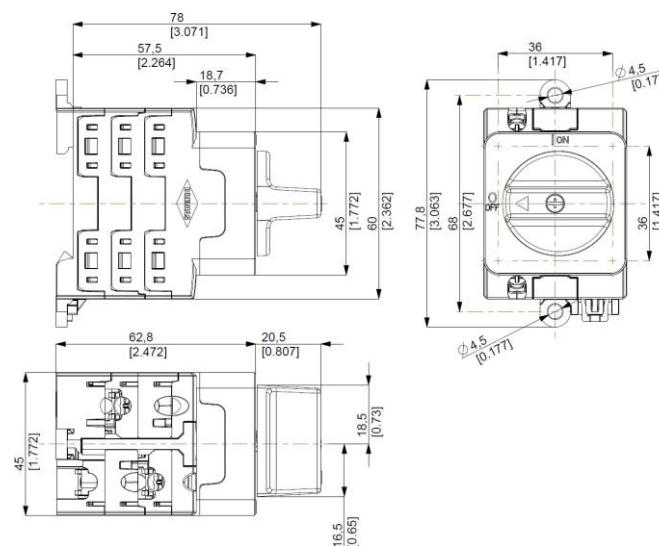
Positions



Electrical Diagram

Layer	1	2	3	4	5	6	7	8	9	10	11	12	13	14	15	16
Marking	-1	+1														
Marking	-1	+1														
0/OFF																
I/ON	X	X														

Dimensions



Drilling Templates

