

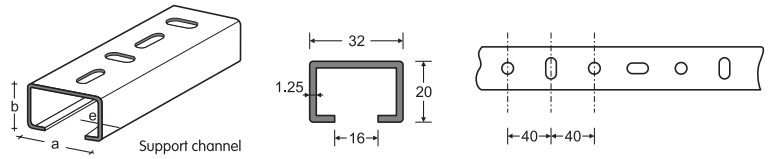
SUPPORT CHANNELS

PG: to be used indoors in almost dry atmosphere

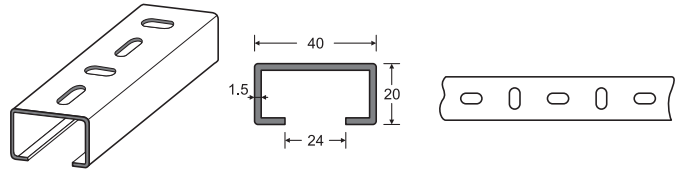
- made of galvanized sheet steel acc. to EN 10327

Available in lengths of 3 m.

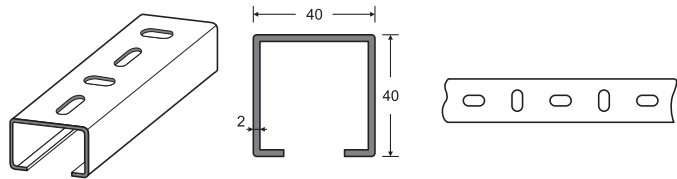
Part Nr.	Dimensions (mm)	Thks. (mm)
63AP/PG	32X20	1,25



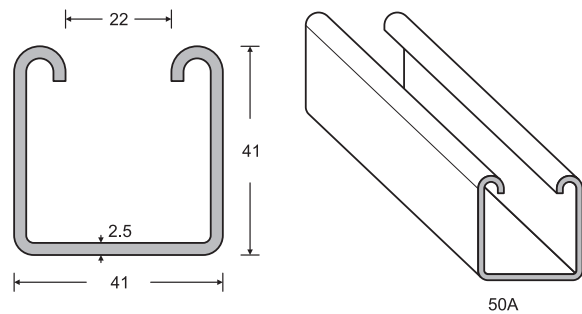
63AQ/PG	40X20	1,50
---------	-------	------



63AR/PG	40X40	2,00
---------	-------	------



63AS/PG	41X41	2,50
---------	-------	------



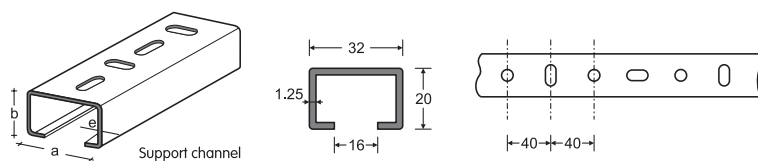
SUPPORT CHANNELS

DG: to be used outdoors or indoors in humid atmosphere

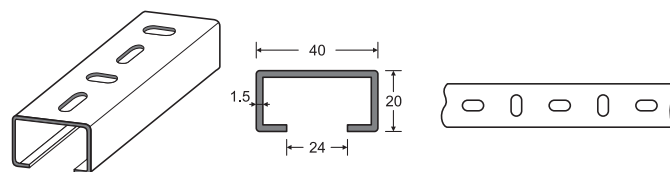
- hot-dip galvanized acc. to ISO 1461

Available in lengths of 3 m.

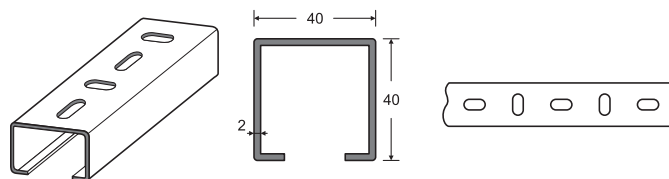
Part Nr.	Dimensions (mm)	Thks. (mm)
63AP/DG	32X20	1,25



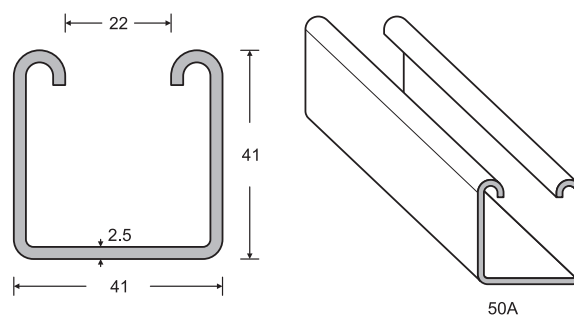
63AQ/DG	40X20	1,50
---------	-------	------



63AR/DG	40X40	2,00
---------	-------	------



63AS/DG	41X41	2,50
---------	-------	------



CANTILEVER BRACKETS

- hot-dip galvanized acc. to ISO 1461

Length L (mm)	Part Nr.
150	63BP-150
200	63BP-200
300	63BP-300

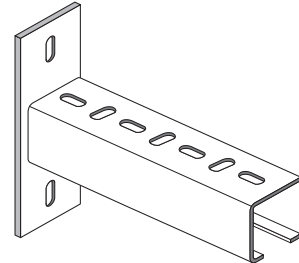
150	63BQ-200
200	63BQ-200
300	63BQ-300

150	63BR-150
200	63BR-200
300	63BR-300
400	63BR-400
500	63BR-500
600	63BR-600

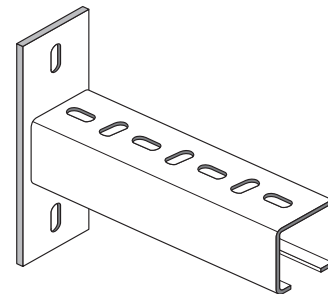
150	63BS-150
200	63BS-200
300	63BS-300
400	63BS-400
500	63BS-500
600	63BS-600

DG: to be used outdoors or indoors in humid atmosphere

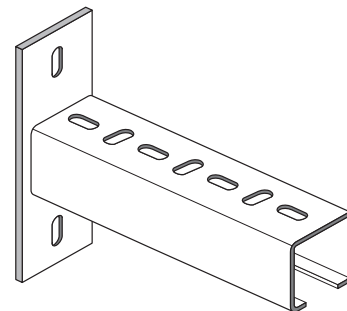
32X20X1,25 mm channel used



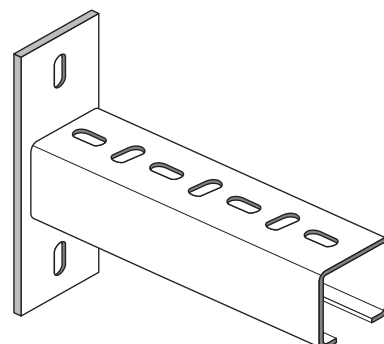
40X20X1,50 mm channel used



40X40X2,00 mm channel used



41X41X2,50 mm channel used



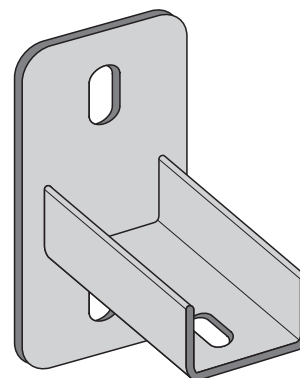
SADDLE SUPPORT

DG: to be used outdoors or indoors in humid atmosphere

Vertical Back Plate

- hot-dip galvanized acc. to ISO 1461

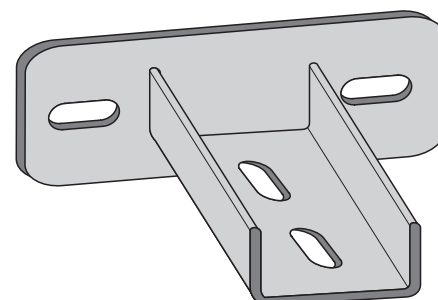
Part Nr.	Suitable for channel
63DAP	63AP (32x20mm)
63DAQ	63AQ (40x20mm)
63DAR	63AR (40x40mm)



Horizontal Back Plate

- hot-dip galvanized acc. to ISO 1461

Part Nr.	Suitable for channel
63DBP	63AP (32x20mm)
63DBQ	63AQ (40x20mm)
63DBR	63AR (40x40mm)



Beam Clamp

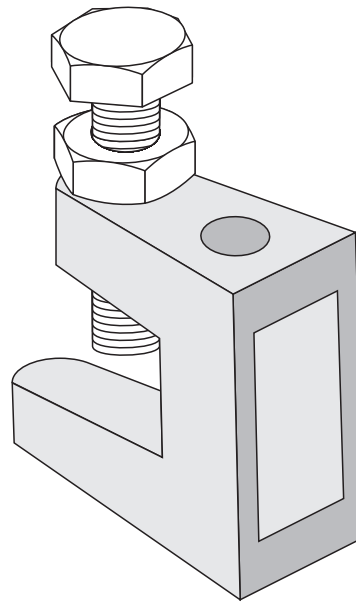
Part Nr.
63H

Electro - plated acc. to DIN 50961

Suitable for threaded rods M8 & M10

Suitable for beam thickness up to 17 mm

Max. allowable load:300 kgr.



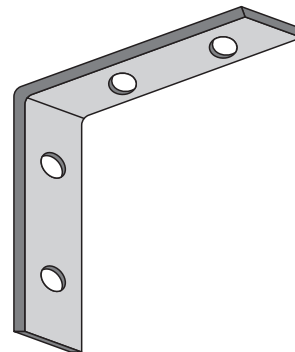
Mounting Angle 90 deg.

- hot-dip galvanized acc. to ISO 1461

Part Nr.
63EA

DG: to be used outdoors or indoors in humid atmosphere

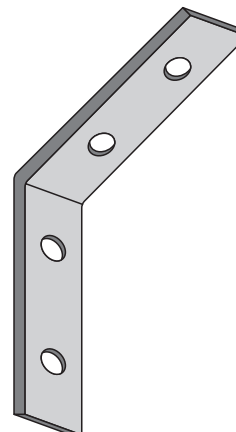
For assembling support channels 63Q, 63R or 63S



Mounting Angle 45 deg.

Part Nr.
63EB

For assembling support channels 63Q, 63R or 63S



Applications

